

Excellent for EFI and Carb fuel systems and all hp ranges



WEQ1210 / WEQ1240 / WEQ12100

10 Micron Filter

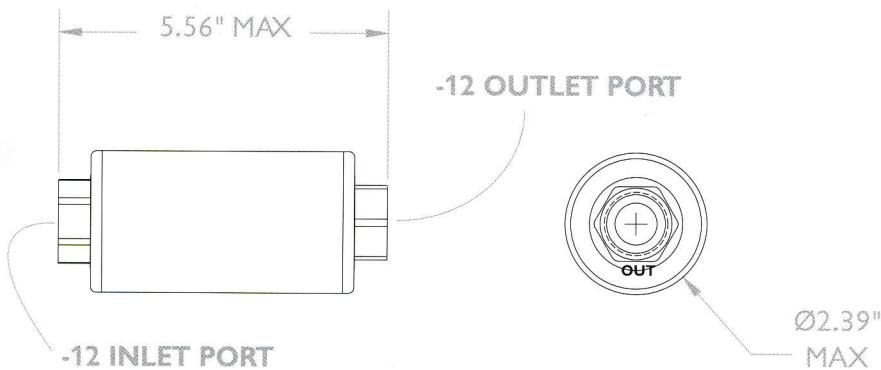
40 Micron Filter

100 Micron Filter

Features

- Aircraft aluminum Billet body
- -8, -10, -12 o-ring ports
- O-ring end caps ensure leak proof seal
- Over 60 square inches of filtering area
- All components are pressure rated to cover our full line of pumps
- Suitable for both carbureted and injected fuel systems.
- Weldon gold anodized end caps
- All parts are anodized for both corrosion protection and appearance
- Machined to aerospace tolerances
- 10, 40 and 100 micron (millionth of a meter) elements available
- Minimal pressure drop
- Replaceable elements

Dimensions

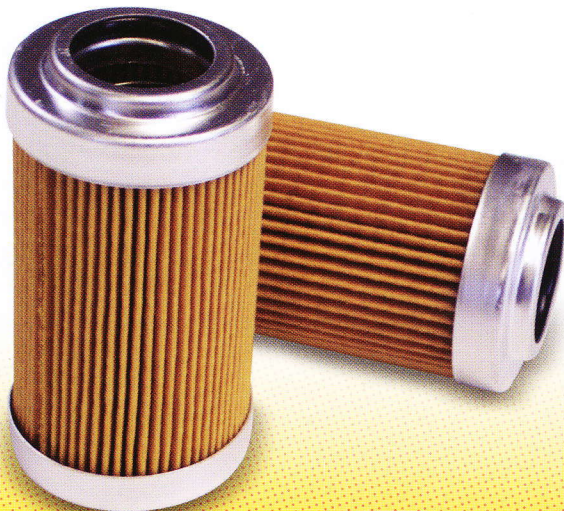


WEQ10MC / WEQ40MC / WEQ100MC

Replacement Element
10 Micron Filter

Replacement Element
40 Micron Filter

Replacement Element
100 Micron Filter



Comments

Weldon recommends the 40 micron element for the inlet side of your Weldon Pump and the 10 micron element between the pump and your carburetor or injectors



Ph: 440.232.2282

Fax: 440.232.0606

E-mail: request@weldonpumps.com

www.weldonracing.com

Install using TC-250 Band Clamp

