

**Ideal pump for Pro Stock, Pro Modified, Pro/Outlaw Street and any Extreme power-adder heads-up class**



# 2345-A / B2311-A

Fuel Injected Engines  
(-12 inlet and -10 outlet)

Carbureted Engines  
(-12 Inlet and -10 Outlet)



## Maximum Horsepower

EFI 2345-A - 2000 hp @ 14VDC (1000 hp on Methanol) • 2400 hp @ 16.5VDC (1200 hp on Methanol)  
Carb B2311-A - 3200 hp @ 14VDC (1600 hp on Methanol)

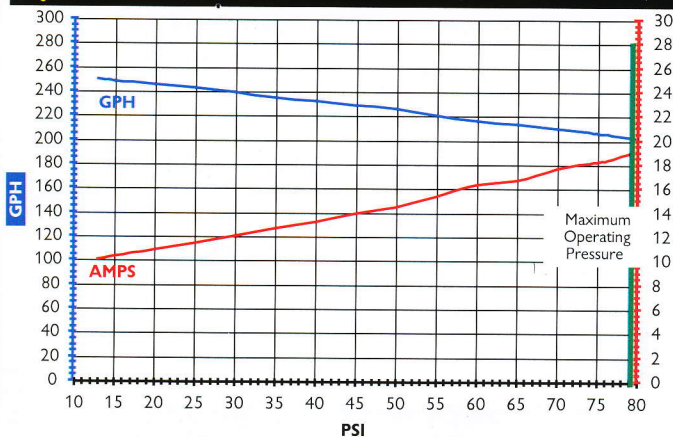
## 2345-A Features

- All billet pumps are 100% serviceable/repairable
- Self Priming
  - Pump may be mounted above fuel cell
  - Vertical or horizontal mount
- Breakaway coupling prevents pump/motor damage in the event of contamination, see pg 17
- All internal wear components are 100% metallic
  - No plastics or composite materials. Our internal pumping elements are made of high speed tool steel and bronze. This results in the longest lasting, highest quality, most durable pumps available.
- Body machined from billet aluminum
- For carbureted or injected engines
- Compatible with Weldon A2040 series regulators
- Provides Consistent Performance with no fall-off in flow
- Precise fuel delivery
- Blades self-compensating for wear
- 6 lbs
- Compatible with the 2040 & 2047 see pg 14

## B2311-A Features

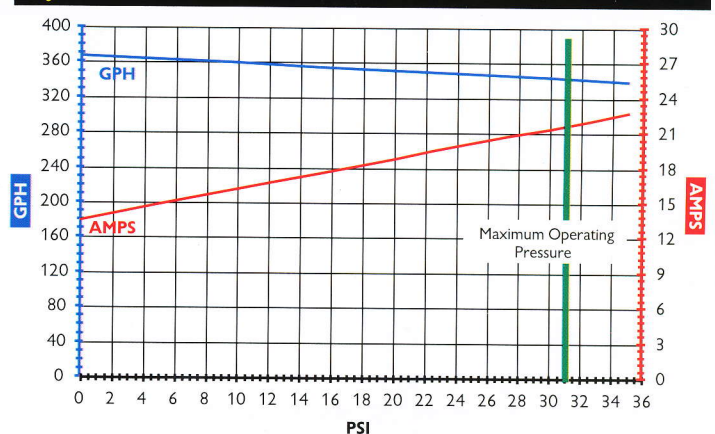
- Ideal for rear mount fuel cells and multiple carb applications
- All billet pumps are 100% serviceable/repairable
- Self Priming
  - Pump may be mounted above fuel cell
  - Vertical or horizontal mount
- Breakaway coupling prevents pump/motor damage in the event of contamination, see pg 17
- All internal wear components are 100% metallic
  - No plastics or composite materials. Our internal pumping elements are made of high speed tool steel and bronze. This results in the longest lasting, highest quality, most durable pumps available.
- Body machined from billet aluminum
- For carbureted engines
- Provides Consistent Performance with no fall-off in flow
- Precise fuel delivery
- Blades self-compensating for wear
- 6 lbs
- Compatible with the 2040 see pg 14

## 2345-A Series @ 14VDC on gasoline



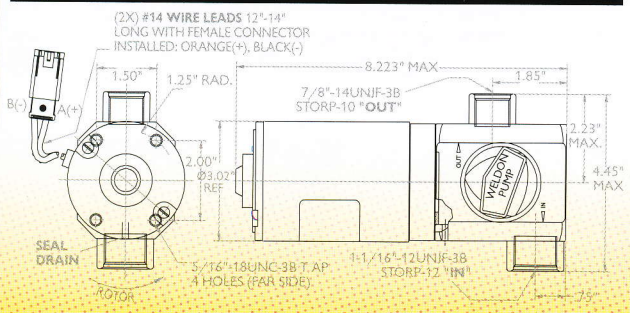
Each Weldon Pump is shipped with a unique serial number and performance chart

## B2311-A Series @ 14VDC on gasoline



Each Weldon Pump is shipped with a unique serial number and performance chart

## Dimensions



## Current Fluids

Weldon Pumps offer the widest range of fuel compatibility.

- Gasoline
- Diesel
- Methanol
- Ethanol
- Nitro methane
- All racing fuels

## Comments

Requires appropriate bypass regulator; a -10 return line at a minimum is recommended. See pg 14

## Compatible Weldon Products

- I4000 Pump Controller, Pg 13
- A2040 Bypass Regulator, Pg 14
- 2047 High Flow Bypass Regulator, Pg 14
- 2046 Blocking Regulator, Pg 14
- 40 & 10 Micron Filters, Pg 15
- O-ring Kit & Coupling Kit, Pg 17



Ph: 440.232.2282

Fax: 440.232.0606

E-mail: request@weldonpumps.com

www.weldonracing.com

640 Golden Oak Parkway, Oak Hill, Ohio 44130

# 2345-A

