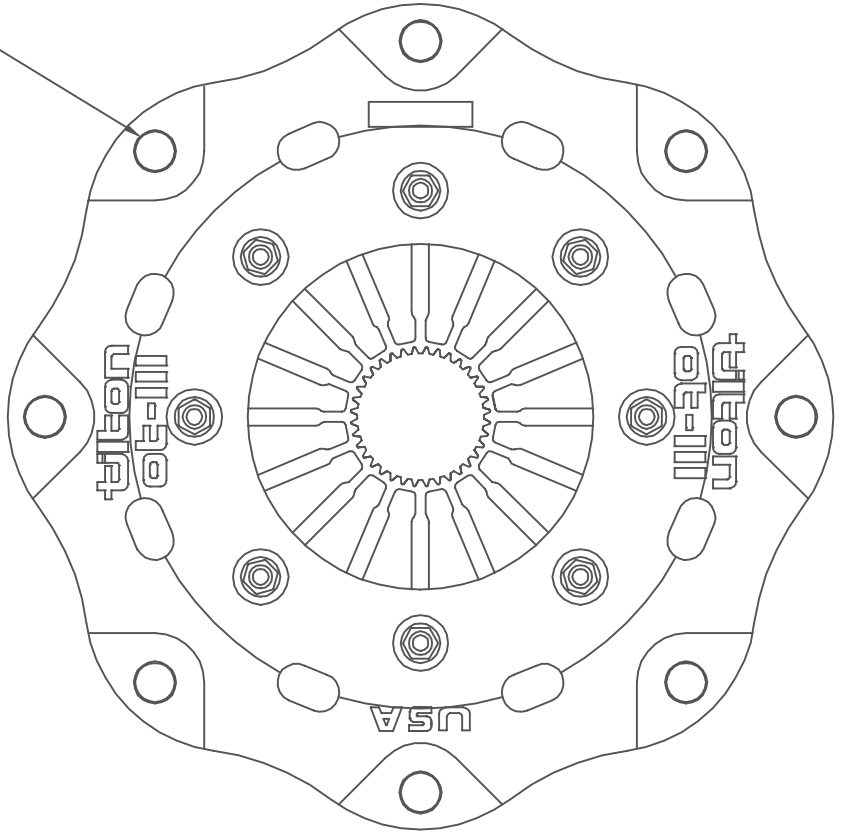
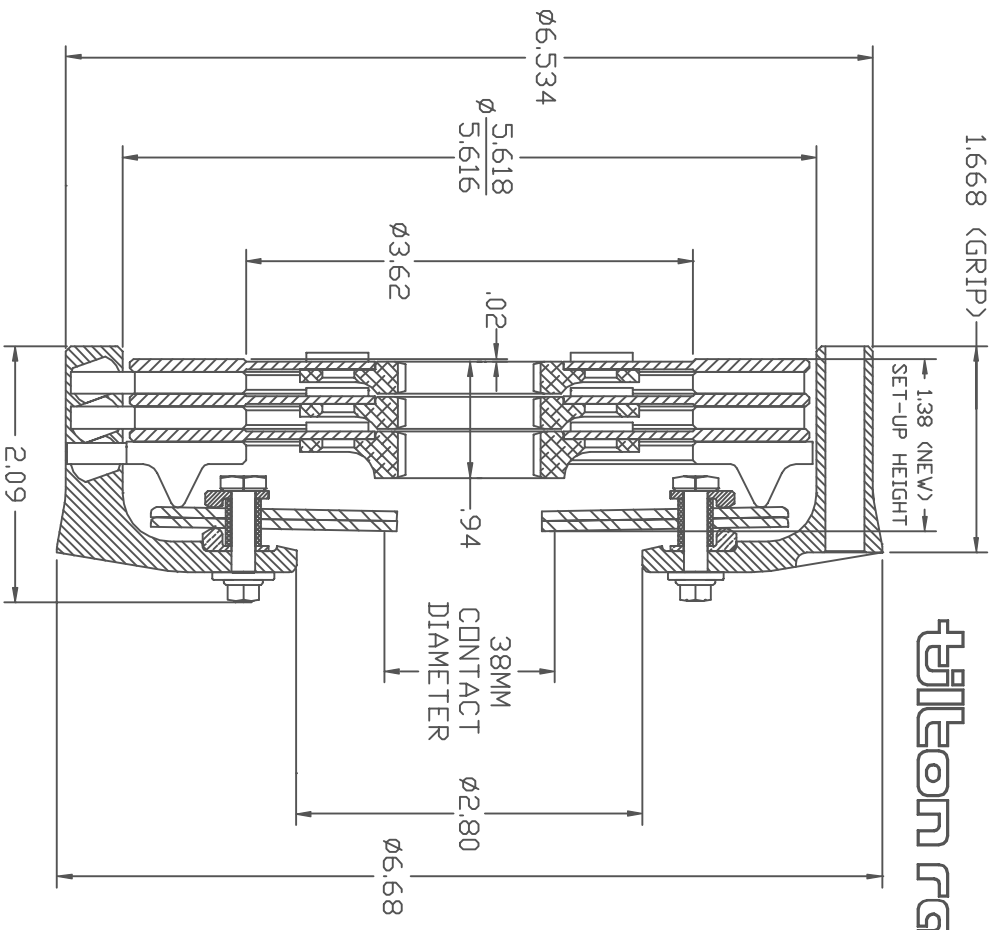


Tilton Engineering *clutch*



| | |
|------------------|-------------------------|
| ASSEMBLY WEIGHT | 7.32 LB |
| ASSEMBLY INERTIA | 40.1 LB-IN ² |
| RELEASE LOAD | 750 LB MAX |
| RELEASE TRAVEL | .16 IN |
| RELEASE BEARING | 38mm |

ILLUSTRATED WITH DISC PACK P/N 64140-9-ACC-36

$\phi .316$ THRU, 8PL,
EQ. SP., 6.081 B.C.D.

| | | | |
|---|------------|----------------------|--------------|
| TILTON ENGINEERING, INC. | | FAX 805/688-2745 | |
| 25 EASY STREET, P.O. BOX 1787, BUELTON, CA 93427 805/688-2353 | | | |
| TITLE: 5.5" METALLIC CLUTCH THREE PLATE | | SCALE 1 : 1 DWG 3897 | |
| DRAWN BY WAHL | CHKD ONEIL | DATE 11/17/98 | SHEET 1 OF 1 |
| P/N 67-003HG | | | |

This document contains proprietary information of TILTON ENGINEERING, INC., and its receipt or possession does not convey the rights to reproduce, disclose its contents, or to manufacture, use or sell anything it may describe. Reproduction, disclosure, or use without specific written authorization of TILTON ENGINEERING INC. is strictly forbidden.