

4

3

2

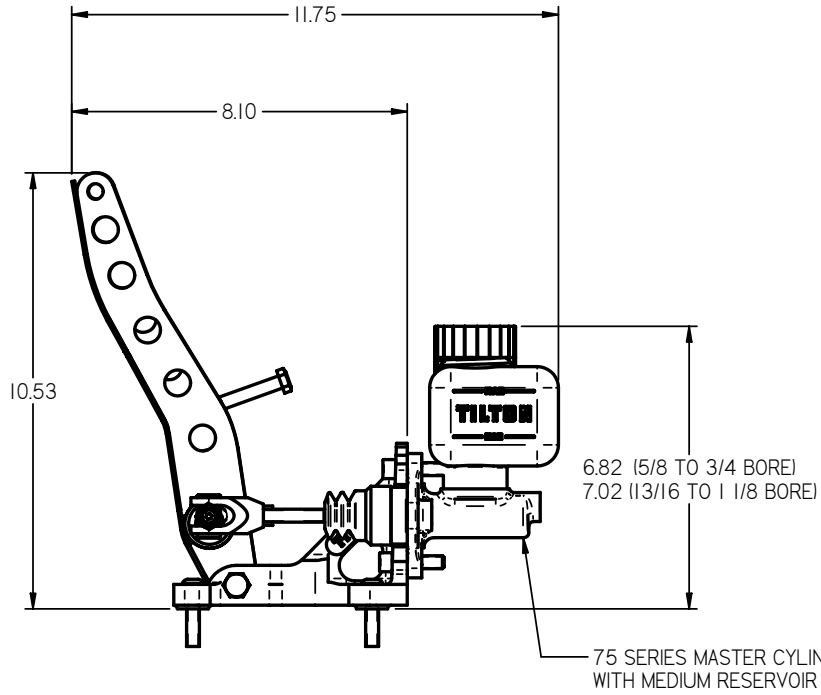
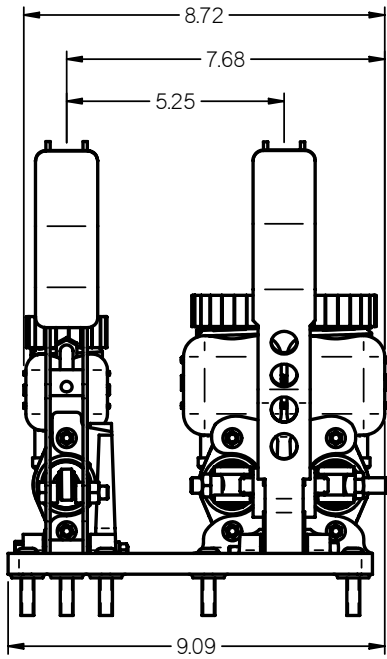
1

D

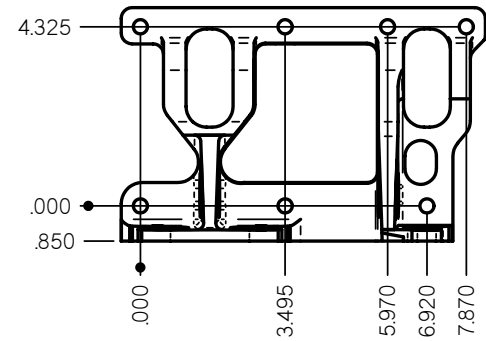
C

B

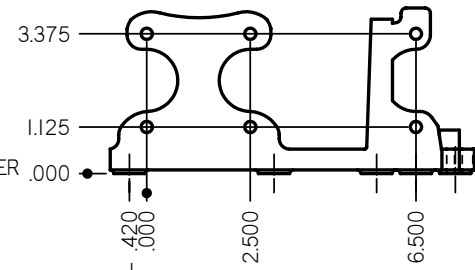
A



FLOOR MOUNTING HOLE DIMENSIONS



FIREWALL MOUNTING HOLE DIMENSIONS



NOTES:

- 1. UNLESS SPECIFIED OTHERWISE DIMENSIONS ARE IN INCHES
- 2. DIMENSIONS ARE NOMINAL
- 3. PEDALS ARE IN RELAXED POSITION CAN BE ADJUSTED TO DRIVER PREFERENCE

TILTON ENGINEERING, INC.			FAX 805/688-2745	
25 EASY STREET, P.O. BOX 1787, BUELLTON, CA 93427 805/688-2353				
TITLE:			STEEL PEDAL ASSEMBLY 2 PEDALS 3 MASTER CYLINDERS	
DRAWN BY	ROBINSON	CHKD	SCALE	1 : 3
P/N	72-642	DATE	07/10/02	SHEET 1 OF 1
				DWG 4469

*This document contains proprietary information of TILTON ENGINEERING, INC. and its receipt or possession does not constitute an offer of any product or service. Reproduction, manufacture, use or sale without specific written authorization of TILTON ENGINEERING INC. is strictly forbidden.

TILTON ENGINEERING