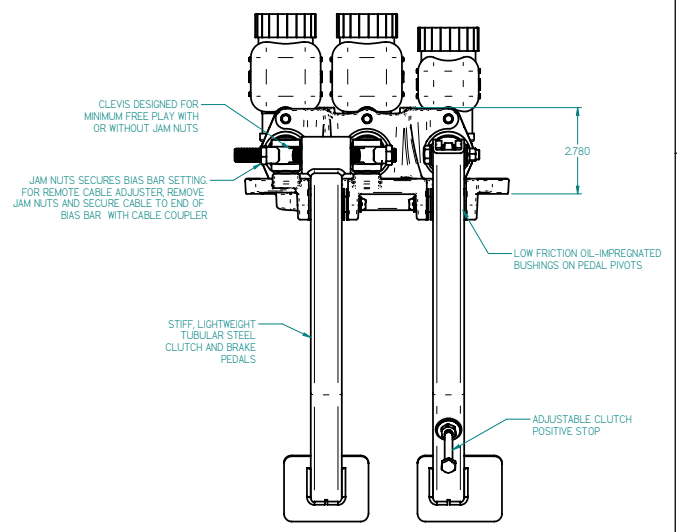
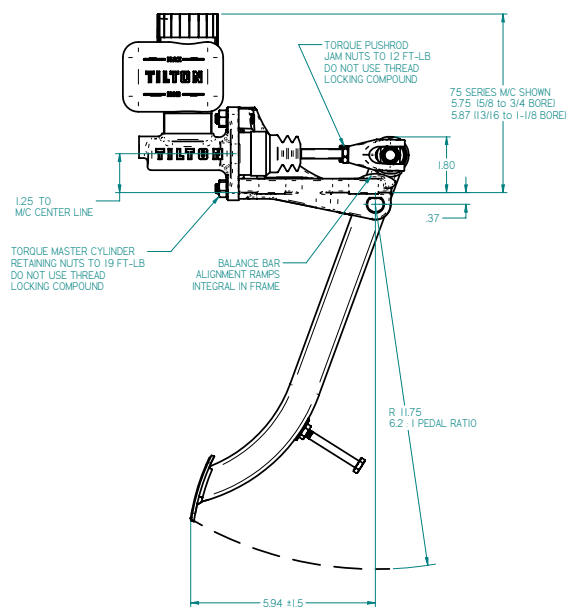
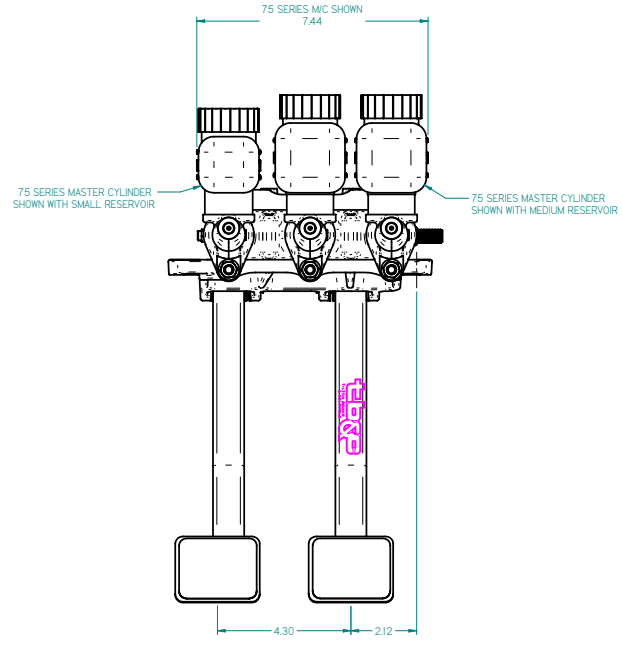
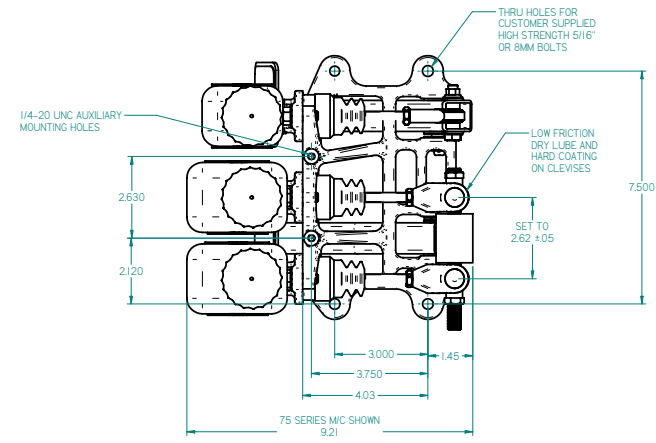


8	7	6	5	4	3	2	1
ZONE	CHKD	DATE	REV	ECN	CHANGE OR ADDITION		

PEDAL ASSEMBLY IS COMPATIBLE WITH TILTON ENGINEERING 73, 74, 75 AND 76 SERIES MASTER CYLINDERS, SOLD SEPERATELY  
75 SERIES MASTER CYLINDERS SHOWN HERE ARE FOR ILLUSTRATION PURPOSES ONLY AND ARE NOT INCLUDED WITH PEDAL ASSEMBLY



NOTES:  
1. UNLESS OTHERWISE SPECIFIED, ALL DIMENSIONS ARE INCHES  
2. DIMENSIONS ARE NOMINAL  
3. WEIGHT :

TOLERANCES: UNLESS SPECIFIED OTHERWISE		MATL	TILTON ENGINEERING, INC. (805)688-2353 FAX (805)688-2745		
.X ± .020	DRILL HOLES	SPEC	25 EASY STREET P.O. BOX 1787 BUELLTON, CALIFORNIA 93427 USA		
.XX ± .010	.013-.040 +.001/-0.01	COND	TITLE: INSTALLATION DRAWING		
.XXX ± .005	.041-.130 +.002/-0.01	HARD	600 SERIES OVERHUNG STEEL PEDAL ASSEMBLY		
FRACT ± 1/32	.131-.228 +.003/-0.01	FINISH	DRN BY VAN SCHMUS	CHKD O'NEIL	SCALE 1 : 2
ANGLE ± 1/2°	.230-.500 +.004/-0.01	SPEC	P/N 72-606	DATE 07/21/06	SHEET 1 OF 1
CONC(THR) .005	.501-.750 +.006/-0.01				DWG 5125
	.751-1.000 +.007/-0.01				
	1.001-2.000 +.010/-0.01				

This document contains proprietary information of TILTON ENGINEERING, INC. and its receipt or possession does not convey the rights to reproduce, disclose its contents, or to manufacture, use or sell anything it may describe. Reproduction, disclosure, or use without specific written authorization of TILTON ENGINEERING, INC. is strictly forbidden.

**TILTON ENGINEERING**